



"JOE'S GARAGE" by Joe Miceli, President

Hi, Guys, Gal's, & Future Vetter's of America it's that time again to open **"JOE'S GARAGE"** for September and of course without A/C I must add. What an exciting month so far around the old place these days, so come right in, pull up a Corvette stool or chair and sit right down, and let's start talking some car stuff and listen to some GOOD OLD MUSIC, I'm talking about hand clapping, foot stomping Rock N Roll.

As usual before we start with the news I would like to take a minute to thank everyone for all that you do for our club. Each and everyone play a little part in making it the great club we have. Thank you.

Wow! September is here and officially summer is gone, couldn't tell by the weather, and thank goodness the rain is gone.

There even was a little chill in the air today. Let's welcome our new member, Ursula Wimpee. We also had two members join this month, Mr. J. West & Rick Funderburk, who we will bring before the club for vote at the October meeting.

Starting with Effingham, 9/19 thru 9/21. If anyone is going don't forget to get in touch with Tommy Ladner. He is going and would love to have other club members drive with him. On Sunday 9/21 we have the Red Bluff Cruise to Columbia, MS. Jakki Mozola has the information on this event. On 9/26 we will have Jean and Paul's cocktail party. As many of you know Paul & Jean will be leaving Mississippi and the Mississippi Corvette Club in October. Paul has taken a position in California, which will take our friends closer to their son and new grand baby.

Upcoming Events

- **Monthly Meeting,**
Steam Room Grille,
Thursday, October 2,
2008, 6:30 p.m.
5430 (East side) I-55
North.
- **Cruising the Coast,**
Saturday, October 11,
2008.
- **5th Annual Scarecrow
Cruise and Car Show,**
October 17, Madison, MS
- **Poker Run, Sunday, Nov 2**
(Details to be worked out)
- **Annual Veterans Cruise,**
November 9.

Mississippi Corvette Club
PO Box 2703
Jackson, MS 39205
Phone: (601)946-9379
E-Mail:
jersevjoe62@yahoo.com

Web Site:
www.ms Corvette Club.com

Club Officers:
President - Joe Miceli
Vice President - Paul Jones
Treasurer - Debbie Henry
Newsletter Editor - Mary Jones
Membership Chairman -
Leslie Mayeaux
Webmaster - Mary Jones

Tim & Sherry will be hosting Corvette Farewell-Cocktail Party.

Both Paul & Jean have been hard working members of the Mississippi Corvette Club these past few years. What better ways to send them off than with a fun get together with their corvette friends.

Date: 9/26

Time: 6:00 p.m. until

Place: 120 Lake Harbor Point, Brandon, MS

Dress: Casual

This will leave the Vice President position open on the board. I will be appointing Freddie Jones to that position in the interim and will put it on the October meeting agenda for a club vote to fill the position.

The brick in memory of Doug Henslee has been ordered from the Corvette Museum. They will notify us when it is placed, which should be in about six weeks.

It's hard to believe our club is 15 years old; the way we are we should be able to continue 15 more with no problem.

Remember the Christmas Party will be at Joe and Gloria Miceli's this year.

We will also be putting together our fall Poker Run at our October meeting, which will be held at the Steam Room Grille. Special guests will be The Make-A-Wish Foundation. At this time we will present the funds raised at our show.

Don't forget Corvette Caravan 2009 Sept. 3rd, 4th, & 5th. Please don't wait too long to book your rooms.

With membership being the life line of our club, membership continues to be good with three new members this month (two to be voted in). We continue to exceed our 2008 expectations.

Vette's By the Lake! Wow! What an event and truly a huge success. I want to thank all the many club volunteers and sponsors that helped make our first show the success it was. Yes, a few things we need to change for next year, but it was one

of the best executed shows I have had the opportunity to work on. It was that way due to the team work and dedication of our club to make a big impact in our community. We had such a great mix of Vette's of all years. There were some really beautiful cars that made many of us really appreciate the opportunity to own the True American Sport Car, 'The Corvette'. I truly believe had it not been cloudy that morning and the hurricane on the coast, we would have had over 75 cars, as it was 61, which is great for a first show.

For Sale
For Sale

2005 Corvette Coupe

Machine Silver Metallic

Ebony Interior

Automatic

All options

New tires

Only 43,000 miles.

Priced to sell at \$33,500.

Linda Henslee 601-946-4603

c6vettegirl@bellsouth.net

NEW 2007 Corvette Convertible

MSRP - \$66,415.00

SALE PRICE - \$52,810.07 plus tax, title & fees

Machine Silver Metallic w/Gray top

Titanium Gray Leather

VIN #1G1YY36U975117685

Engine 6.0 - 400 HP

Magnetic Selective Ride Control
(Tour and Sport Settings)

Large Cross-Drilled Brake Rotors

Transmission 6 Spd Paddle Shift Automatic

Chrome Aluminum Wheels

OnStar

AM/FM CD, DVD, XM and Navigation

3LT Preferred Equipment Group

Head-Up Display

PWR Telescoping Steering Wheel

Heated Seats/Memory Package

Power Convertible Top

We also found out that we have some very talented dancers in our club, and also some like me who have two left feet. Well all I can say is it was a great day of fun and fellowship, for a great cause.

Initial numbers look like we raised around \$3300.00, will have the final dollars as soon as Debbie closes the books on the show.

The tech tips will be in a special Tech section in the newsletter. Thank You AI for the information.

Well it's getting to be closing time, everyone needs to go, overtime is not allowed. Hope to see all soon, Gloria & I will be leaving for Mayo Clinic on Thursday. I will keep all posted on how thing go, your thoughts and prayers will be greatly appreciated.

Remember we will send out the Old Business notes for everyone to read rather then read them at each meeting.

For now that's all the news from the '*OLD GARAGE*' plus it's time to close the door and go to the house; but before I do, let me leave you with this. We will continue to have a great club, full of fun, excitement, and friends throughout 2008.

"ALWAYS LOOK FORWARD, NEVER LOOK BACK"

"SAVE THE WAVE "
Joe Miceli / President 2008



It is not what is done to us that matters but how we take what is done.

- Marian Wright Edelman



Happy Birthday!

September

Connie Roberts
Ray Riley
Nick Hardwick
Linda Henslee
Stacy Rayborn
Wanda Taylor
Kim Henson

October

Rhonda Bailey
Eddie Coleman
Kirby Wilson
Wanda Baldwin
Harvey Haney
Michael Moses
Jack Bradshaw
Chris Carataio



September

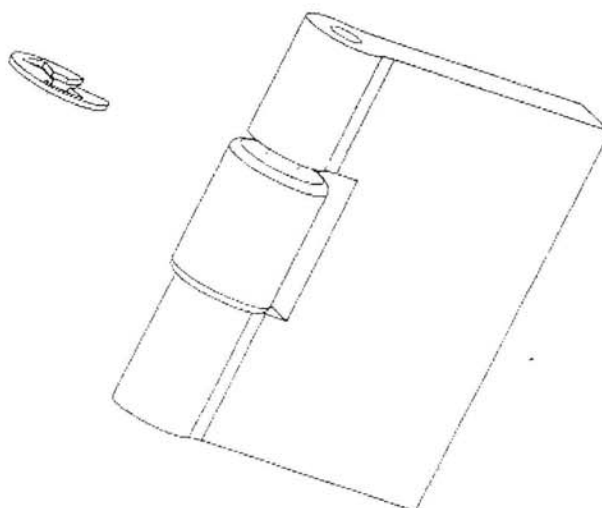
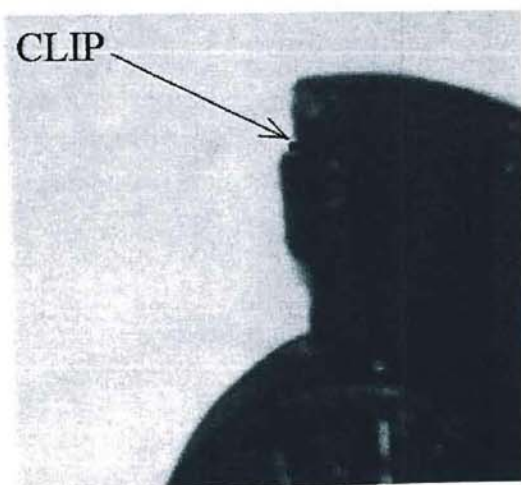
Bryan and Honore Schwartz
Eddie and Margo Coleman
Leonard and Connie Roberts

October

Major and Sally Combs
David and Laura Wilson
Larry and Judy Parker

TECH TIP

Does your removable top pop, squeak, rattle and etc. The hotter it gets the worse the condition. Here's a solution that has worked for us and many, many others. Go to a hardware store (Lowe's has them) and purchase two (one for each latch) 5/32" E-clips. Remove your top and lay bottom side up on a clean soft surface. Using a small needle nose plier insert one (1) E-clip along side of the small roller as shown in the photos below. Make sure the clip is completely and firmly seated on the small shaft of the roller. Do this on both latches. Then apply a **small** amount of lubricant (not oil) to the **roller** and to the **o-ring** on the pin which inserts into the windshield header. Reinstall the top and bingo, no noise. GM is aware of this problem and has made attempts to correct including new latches but there is widespread rumor that none have corrected the problem.





Waterless Wash

BAYES PREMIUM WATERLESS VEHICLE WASH
16 OZ. \$9.95

Designed for use on Cars, Autos, Motorcycles, Boats, Glass, Chrome, Vinyl and Rubber.

A one step application designed to clean, shine and protects your vehicles surface without the need of water or additional cleaners.

- *Professional Grade
- *Formula Based
- *Cleans, Polishes and Protects
- *Non-Abrasive
- *Non-Toxic
- *Biodegradable
- *Restores Natural Beauty

Vetes by the Lake!



MSCC and Make-A-Wish



A chance to win a 2009 Corvette

RAFFLE SPONSORED BY THE NATIONAL COUNCIL OF CORVETTE CLUBS, INC.
100% OF PROCEEDS DONATED TO THE NATIONAL KIDNEY FOUNDATION
TO PROMOTE ORGAN DONOR AWARENESS PROGRAM

PURCHASE YOUR TICKETS TO WIN A 2009 CORVETTE AND HELP THE
NATIONAL KIDNEY FOUNDATION.

DRAWING WILL BE HELD **August 14, 2009**



TICKETS ARE ONE FOR \$10.00 or THREE FOR \$25.00

Name _____

Address _____

City, State, Zip _____

Telephone Number (including area code) _____

NCCC# _____

****Check or Credit card****

Make checks payable to: NCCC FOR NKF

CREDIT CARD No./Expiration Date _____
(Indicate Visa, MC, etc.)

SIGNATURE _____

MAIL TO: NCCC FOR NKF, 9741 Sunny Pint, Lainsburg, MI 48848 **Return by JULY 25, 2009**

ENCLOSE A SELF-ADDRESSED STAMPED ENVELOPE FOR STUBS TO BE MAILED TO YOU.

**For more Information call:
Days: 989-463-5891 or 989-463-2420
Evenings: 517-651-2029**

September Minutes

The Mississippi Corvette Club met September 4, 2008 at O'Charley's, Ridgeland, MS with approximately 31 in attendance.

Meeting was called to order by Joe Miceli.

Happy Birthday and Anniversary was wished for all for the month of September.

New member Ursula Wimpee was recognized and accepted by the club.

Treasurer's Report:

\$3124.05 balance in the account.

22 pre-registrations for the Vettes by the Lake show this weekend.

Discussed withdrawal for expenses for the Vette show and to have starting cash.

56 memberships and 106 members.

Brick in memory of Doug Henslee has been ordered from the Corvette Museum. Will notify us when placed. Approximately 6 weeks.

Discussed article in *Rankin Record* about the car show.

Publicity is also in Chamber of Commerce newsletter and the *Clarion Ledger* newspaper.

Motion made by Leslie Mayeaux to accept the minutes of last months meeting, and seconded by Kirby Wilson.

Discussion about the show:

Eli Manning signed jersey was obtained to use as an auction item, thanks to BankPlus.

Letter of commitment received from Gateway Tires - thank you Debbie for getting these as an auction item.

Thanks to Mary Jones for the newsletter and preparing the judge's recap sheets, sponsor's sheets and people's choice judging sheets.

Freddie Jones discussed the donor that saw the publicity of the Corvette show on television. Freddie met the gentleman to pickup a \$500 donation to Make-A-Wish, and door prize of an Espresso Coffee maker.

Show Task Sheets were passed out.

- Set up Friday night at the show site to put up tents between 5:30 - 6:00 at Mirror Lake.
- Table and chairs, etc. set up Saturday morning.
- Set up of sound system etc., will be done on Saturday morning 7 a. m.
- Volunteers will be there from BankPlus and Make-A-Wish.
- Food vendors will be ready to serve at 11 a.m.
- Discussed wall plaques for sponsors; have been obtained and were under the budgeted amount.
- Bring walkie talkies and also bring extra chairs and umbrellas. Not a big chance of rain for Saturday.
- Jerry Ainsworth will lead a small cruise around the Jackson area after the show.
- Live auction is at 1:30 p.m.

The Mississippi Corvette Club turned 15 years old in March of 2008.

Christmas Party - at Joe Miceli's house - date and details to be discussed.

Events:

Tommy Ladner is going to Effingham event. If anyone is interested in going contact Tommy or Paul Jones.

Discussed the Paula Deen cruise in August to Tunica, MS. It was a great place to dine and a lot of fun.

Janie discussed eliminating the birthday cake at each monthly meeting. Most of the time there is a lot of waste etc.; club members had no objection to eliminating.

Special welcome to Linda Henslee for attending the meeting.

And, a special thanks to Joe Miceli for all his hard work on the "Vettes by the Lake" show.

Next meeting Hal and Mal's, 200 Commerce St., Jackson, MS - 601-948-0888

Submitted by Janie Wilson, Secretary and Leslie Mayeaux, Membership